

Product Images

Walmart / Amazon

Hub Only





Cell Phone Extensions:
Turn your smartphone
into an extension
using our apps



ring-u.com



Work from anywhere:
Makes remote work and
home offices easy.


ring-u.com



Just a few things the OLED information screen can show you:

```
NO NETWORK  
Do not panic
```

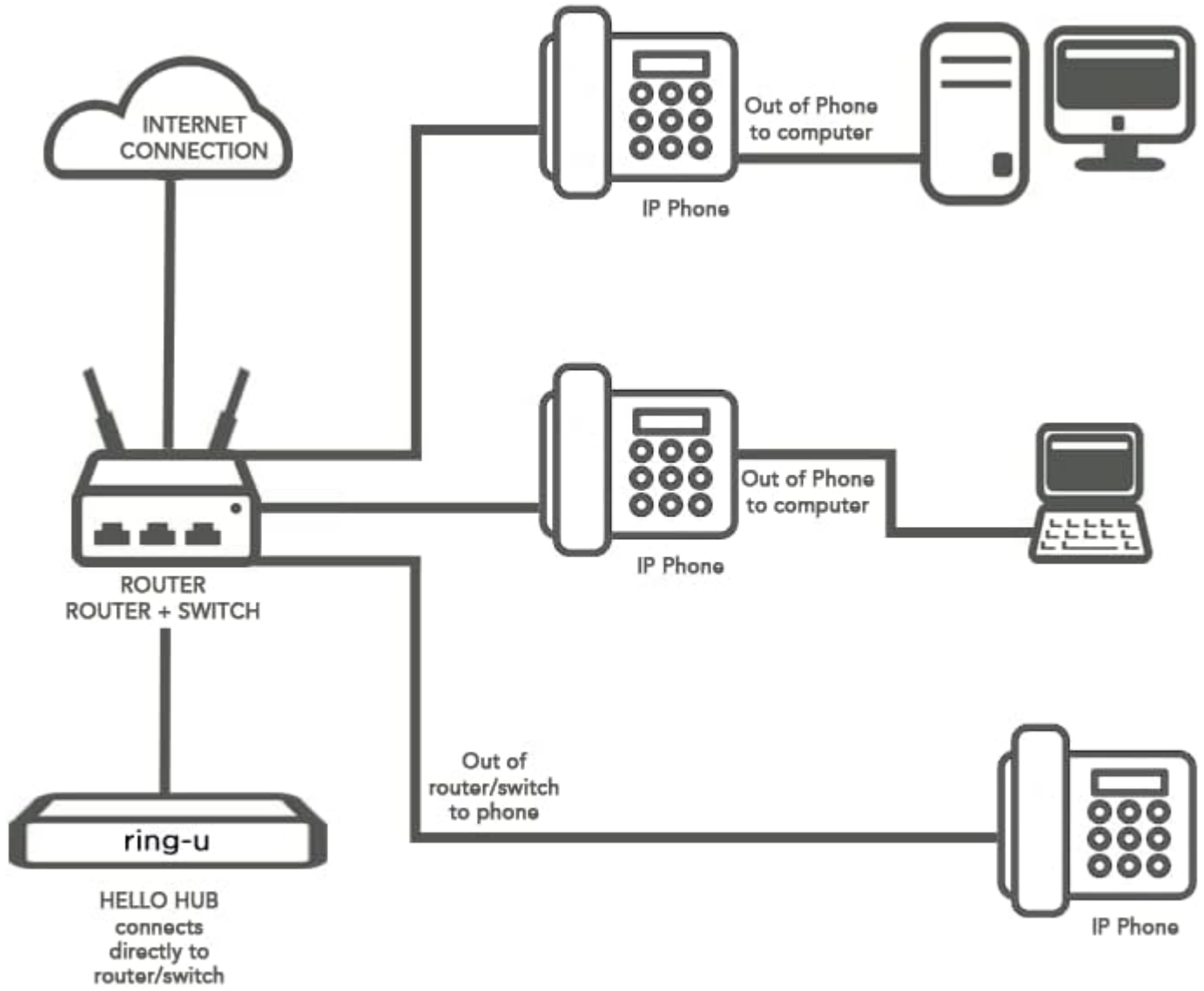
```
fax received  
emailed to:  
office@example.com
```

```
PUB 123.251.16.13  
INT 192.168.10.10  
MAC 43:10:g3:3k:42:24
```

```
Storage: 30% Full  
17 voicemails  
93 faxes
```

```
2 active calls  
7 phones  
1 line available
```

```
Config Phones  
8 found 3 configured
```



What is the Hello Hub?

The Hello Hub is an ARM based secure Linux server dedicated to PBX functionality. It is small, powerful, energy efficient and just the right sort of "configure and forget about it" device that is perfect for small businesses.

So what kind of software is it running?

The basis for the Hello Hub is Debian Linux, one of the oldest, most stable, and well maintained Linux distributions in use today. Thousands of businesses rely on Debian every day to get their work done.

We utilize a customized version of Asterisk for our PBX functionality. Asterisk is the #1 digital PBX solution in use around the world today.

The most important piece of software resides on our servers: The Customer Portal. Our Portal will enable almost any non-geek to set up and administer their own PBX in minutes.

Bundles



What's inside the Hello Hub?

Quad core 1.5 ghz processor. Good for 30 concurrent calls (lines).

2gb Samsung DDR4 RAM/16gb Samsung EMMC storage. Fast and dependable.

OLED screen on the front that displays use and diagnostic info.

MicroSD card slot for up to 64 gb of expanded storage.

Single USB 3 port & Dual USB 2.0 ports for future expansion.











Wix Images

Hubs

GRP Phones

GXP Phones

Portables

Adapters

From:

<http://139.177.207.68/wiki/> - **support wiki**

Permanent link:

http://139.177.207.68/wiki/doku.php?id=prod_images

Last update: **2025/11/02 18:49**

